

DESCRIPTION

PMI MODEL NUMBER PRX-20-1G18G-850M-SFF IS A CHANNELIZED RECEIVER WITH AN RF INPUT OF 1 TO 18 GHz. TWENTY OUTPUT CHANNELS ALLOW SIMULTANEOUS SIGNALS TO BE OUTPUT FOR DIGITIZATION. AN INTERNAL REFERENCE IS INCLUDED TO LOCK THE VARIOUS LO'S IN ORDER TO DOWN CONVERT THE SIGNAL INTO THE NECESSARY FREQUENCY BANDS.

SPECIFICATIONS

RF INPUT

- FREQUENCY: _____ 1 - 18 GHz
- INPUT POWER: _____ -55 TO +5 dBm
- VSWR: _____ 2 : 1 MAX
- SPURIOUS FREE DYNAMIC RANGE: _____ 60 dB MIN

RF OUTPUTS

- FREQUENCY: _____ 5 GHz MAX, 4.4 GHz TYP
- CHANNELS: _____ 20
- GAIN: _____ 0 dB \pm 3 dB TYP
- PASSBAND: _____ 900 MHz TYP
- STOPBAND: _____ 1.4 GHz MAX

REFERENCE OUTPUT

- FREQUENCY: _____ 10 MHz
- OUTPUT POWER: _____ +20 dBm
- STABILITY: _____ \pm 1 PPM

- CONNECTORS: _____ INPUT: SMA F
OUTPUTS: SMA F
REFERENCE OUTPUT: SMA F
POWER: 9-PIN D-SUB M

- POWER SUPPLY: _____ +12V @ 9 A (TBD)
-5V @ TBD mA

- SIZE: _____ 9.00" X 6.00" X 1.50"

- FINISH: _____ PAINTED BLUE

ENVIRONMENTAL RATINGS

- TEMPERATURE: _____ -40°C TO +70°C (OPERATING)
-40°C TO +85°C (STORAGE)
- HUMIDITY: _____ MIL-STD 810, 0 TO 95% NON-CONDENSING
- ALTITUDE: _____ MIL-STD 810, 15,000 FT
- SHOCK: _____ MIL-STD 810, 516.6 COMPLIANT, 20G, 11 ms DURATION
- VIBRATION: _____ MIL-STD 810

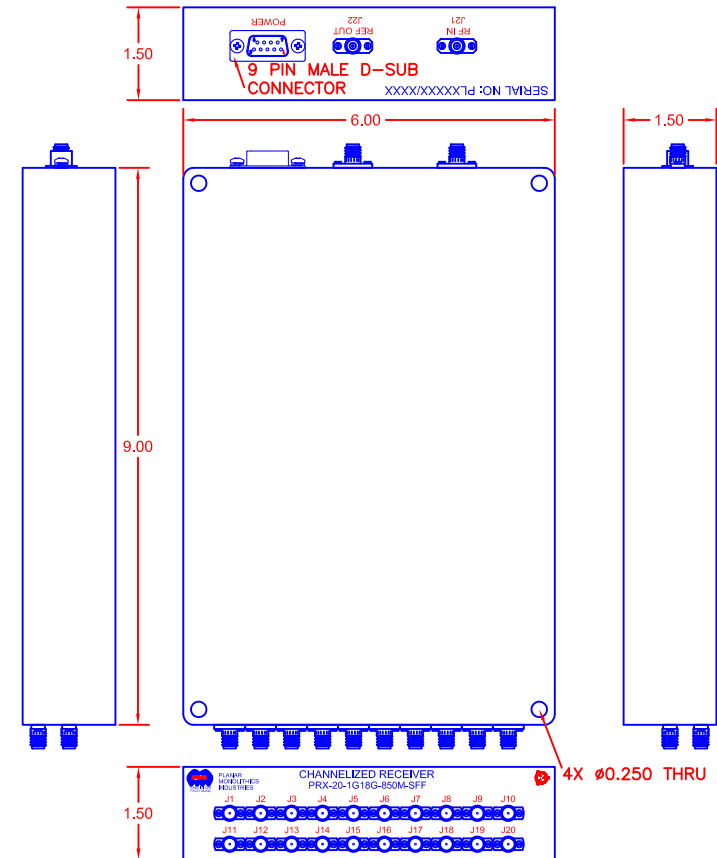
NOTE: SPECIFICATIONS WILL VARY OVER OPERATING TEMPERATURE
NOTE: THE ABOVE SPECIFICATIONS ARE SUBJECT TO CHANGE OR REVISION

PIN	FUNCTION
1	GND
2	GND
3	GND
4	-5V
5	GND
6	GND
7	+12V
8	+12V
9	+12V

ALL DIMENSIONS ARE IN INCHES
TOLERANCES:
X.XX \pm 0.020
X.XXX \pm 0.010

REVISIONS				
ZONE	REV.	DESCRIPTION	DATE	APPROVED
	1	PRELIMINARY	11/17/17	
	2	UPDATES	11/21/17	

MECHANICAL OUTLINE



PMI CONFIDENTIAL AND PROPRIETARY

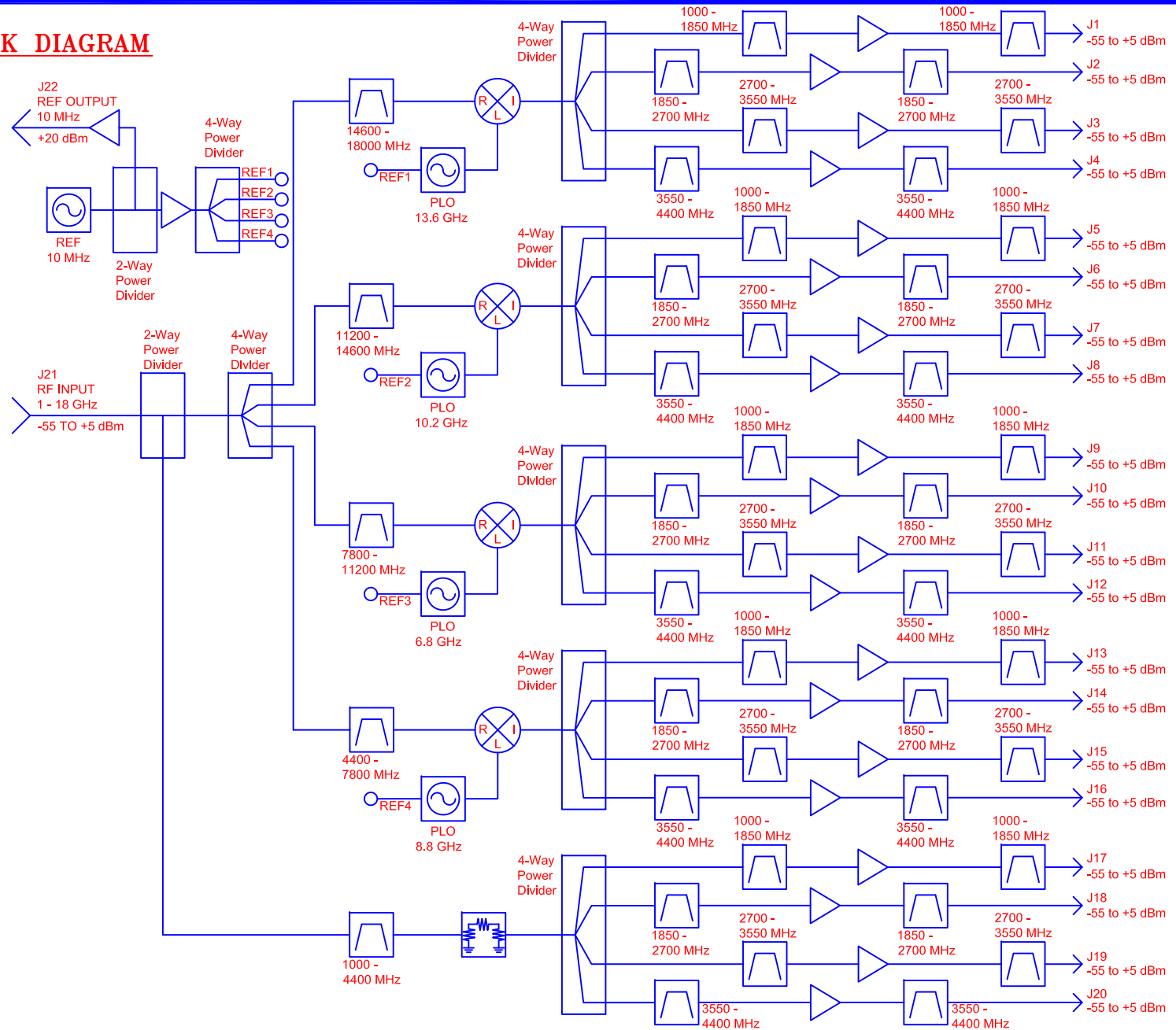
PLANAR MONOLITHICS INDUSTRIES, INC.

7311-F GROVE ROAD
FREDERICK, MARYLAND 21704 USA
TEL: 301-662-5019 FAX: 301-662-1731
WEBSITE: www.pmi-rf.com
E-MAIL: sales@pmi-rf.com
ISO 9001 CERTIFIED



APPROVALS		DATE	TITLE			
DRAWN <i>DPD</i>		11/17/17	PRODUCT FEATURE PRX-20-1G18G-850M-SFF CHANNELIZED RECEIVER			
MODIFIED			SIZE	FSCM NO.	DWG NO.	REV.
ISSUED			A	05XQ0	PRELIMINARY	2
			SCALE	N:S	SHEET 1 OF 2	

SIMPLIFIED BLOCK DIAGRAM



PMI CONFIDENTIAL AND PROPRIETARY

APPROVALS		DATE		TITLE			
DRAWN <i>DPD</i>		11/17/17		PRODUCT FEATURE PRX-20-1G18G-850M-SFF			
MODIFIED				CHANNELIZED RECEIVER			
ISSUED				SIZE	FSCM NO.	DWG NO.	REV.
				A	05XQ0	PRELIMINARY	2
				SCALE N:S	SHEET		2 OF 2

PLANAR MONOLITHICS INDUSTRIES, INC.

7311-F GROVE ROAD
 FREDERICK, MARYLAND 21704 USA
 TEL: 301-662-5019 FAX: 301-662-1731
 WEBSITE: www.pmi-rf.com
 E-MAIL: sales@pmi-rf.com
 ISO 9001 CERTIFIED

